

# AT-CUT CRYSTAL UNIT (SMD • Ceramic Package)

RoHS Compliant Standard

## SMD5032

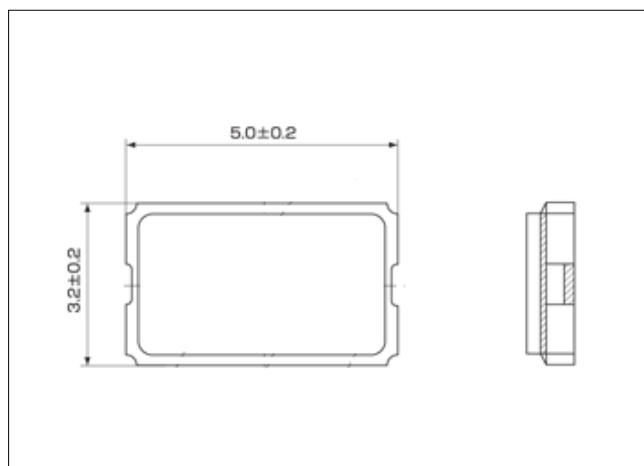
3000pcs/reel



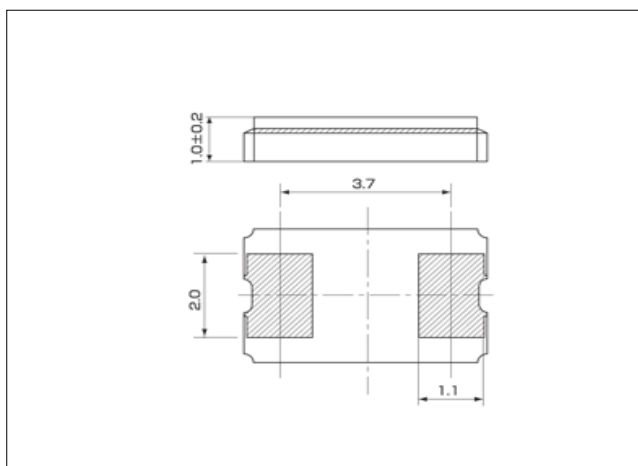
### FEATURES

- High-density SMD type.
- Reliable ceramic package and excellent environmental characteristics.
- Suitable for various applications such as communication devices, AV devices and other equipment.

### DIMENSION [mm]



### SOLDER PAD LAYOUT [mm]



### STANDARD SPECIFICATIONS

Item	Model	SMD3225	Conditions
Nominal Frequency	$f_0$	13.0MHz~54.0MHz (Fundamental)	Need to contact us for the available frequency
Frequency Tolerance	$\Delta f/f_0$	$\pm 30\text{ppm}$	at 25°C
Frequency Tolerance over Operating Temperature Range	$\Delta f/f_0$	$\pm 30\text{ppm}$	-10°C~+60°C
Operating Temperature Range	$T_{\text{OPR}}$	-40°C~+85°C	
Storage Temperature Range	$T_{\text{STR}}$	-55°C~+125°C	
Motional (series) resistance	$R_1$	Refer to the following table	at 25°C
Load capacitance	$C_L$	16.0pF	Need to specify your requirement
Shunt capacitance	$C_0$	5.0pF Max.	
Level of drive	$D_L$	10 $\mu\text{W}$ (100 $\mu\text{W}$ Max.)	
Insulation Resistance		500M $\Omega$ Min.	DC100V $\pm$ 15V
Aging (first year)	$\Delta f/f_0$	$\pm 5\text{ppm}$ Max.	25°C $\pm$ 3°C

### MOTIONAL (SERIES) RESISTANCE ( $R_1$ )

Frequency Range	13.0MHz $\leq f_0 < 16.0$ MHz	16.0MHz $\leq f_0 < 20.0$ MHz	20.0MHz $\leq f_0 < 30.0$ MHz	30.0MHz $\leq f_0 < 54.0$ MHz
ESR	150 $\Omega$ Max.	120 $\Omega$ Max.	80 $\Omega$ Max.	50 $\Omega$ Max.